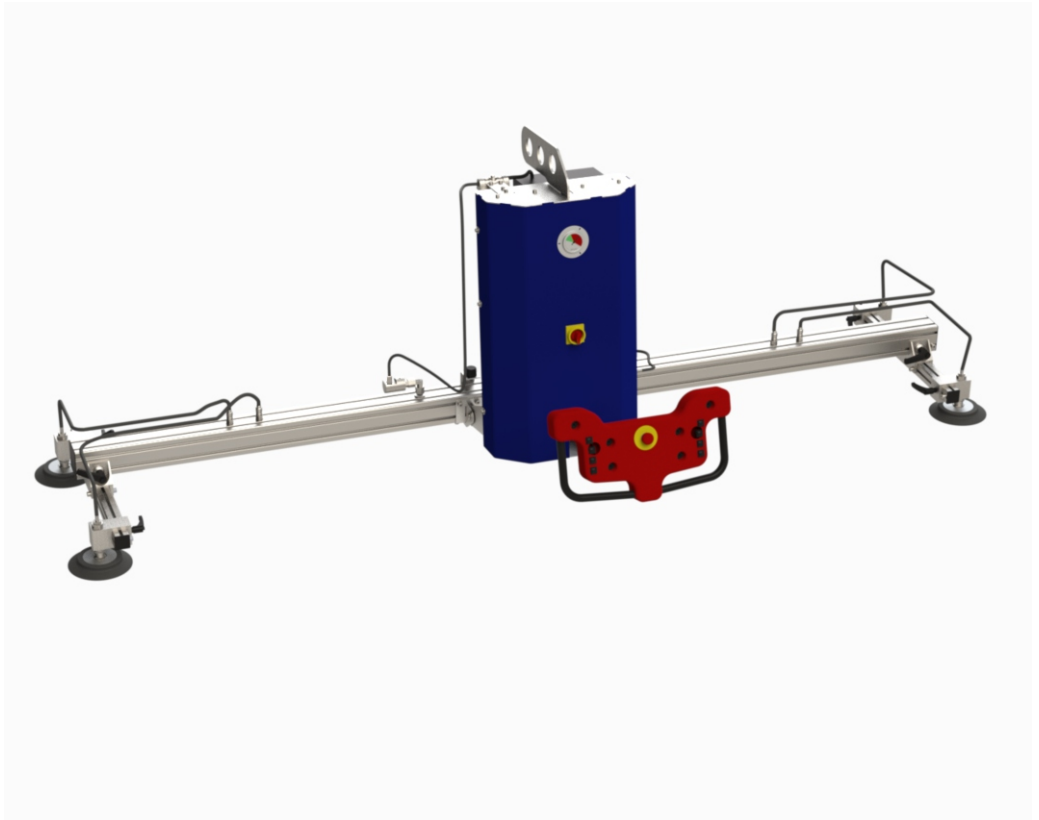


BEFARD RM series 90

SERIES OF VACUUM GRIPPERS



**UNIVERSAL VACUUM GRIPPER
FOR SHEET AND SHAFT**

BEFARD RM GRIPPER 90 series

Vacuum grippers by BEFARD are available in various variants, differing in terms of load capacity and the number of suction cups. Individual versions of BEFARD vacuum grippers are devices adapted to the different needs of users.

VACUUM GRIP FEATURES

- the gripper enables smooth movement with the carried load in the vertical-horizontal range
- integrated device for measuring and monitoring vacuum
- lightweight aluminum structure

TECHNICAL DATA

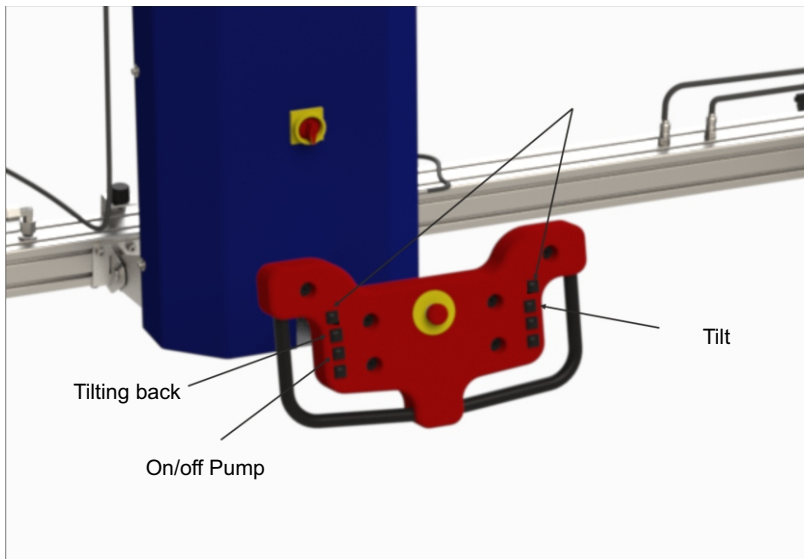
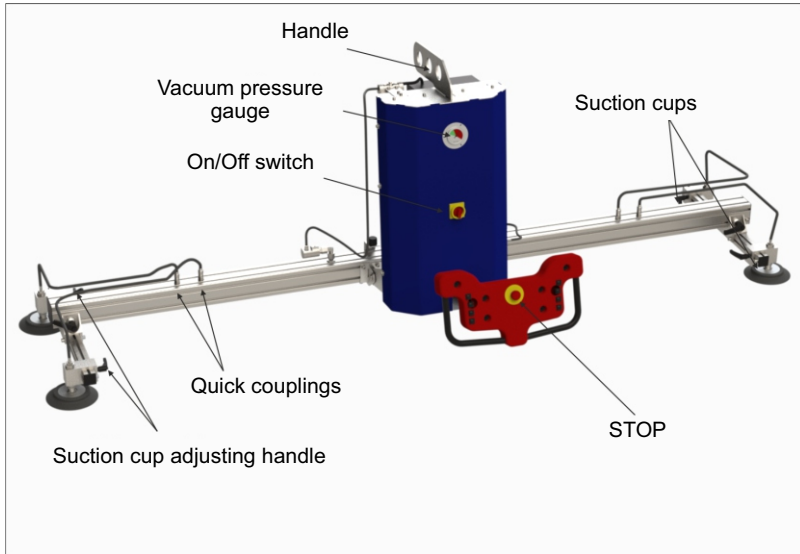
Model	RM series 90
Power supply	230 V
Min/max vacuum during operation	-0,2 bar
Vacuum system	Single speed
Number of suction cups	4-8
Weight	Depending on the parameters
Lifting capacity	Depending on the parameters
Temperature range	+3°C to +40°C

BEFARD RM GRIPPER 90 series

Lifting capacity	Cargo format	Maximum crane arm lengths	Suction cups
RM 125-90 125 kg	2000 mm x 1000 mm	1600 mm x 750 mm	4 x 160 mm
	2500 mm x 1250 mm	1600 mm x 750 mm	4 x 300 mm
	4000 mm x 2000 mm	3200 mm x 750 mm	4 x 300 mm 4 x 160 mm
RM 260-90 260 kg	2500 mm x 1250 mm	1600 mm x 750 mm	4 x 300 mm
	4000 mm x 2000 mm	3200 mm x 750 mm	8 x 300 mm
RM 500-90 500 kg	2500 mm x 1250 mm	1600 mm x 750 mm	4 x 300 mm
	4000 mm x 2000 mm	3200 mm x 750 mm	8 x 300 mm



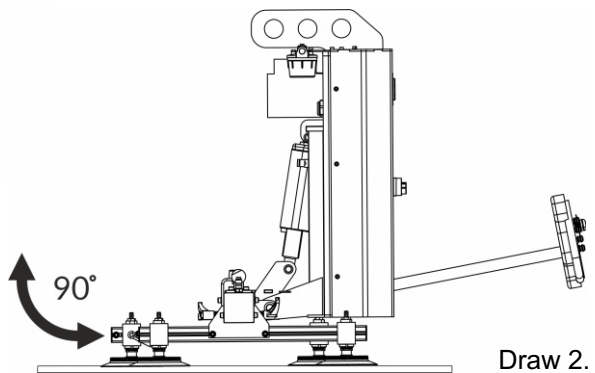
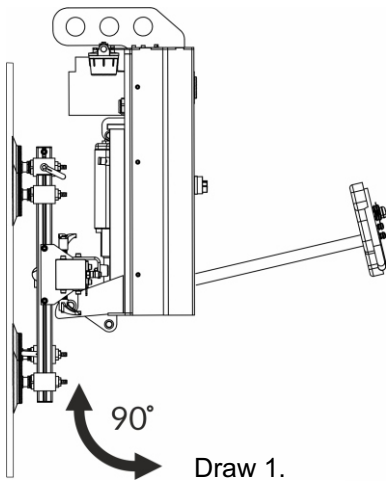
BEFARD RM GRIPPER 90 series



BEFARD RM GRIPPER 90 series

RANGE OF POSSIBLE MOVEMENTS

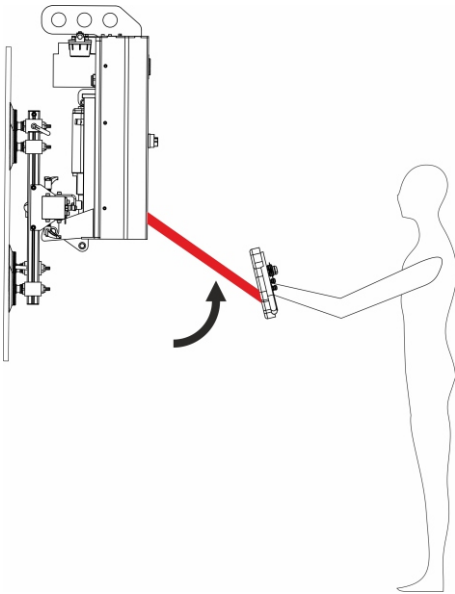
The BEFARD RM 90 series gripper allows you to transfer the load as well as level and plumb it in the range of 90°
Draw 1. and Draw 2.



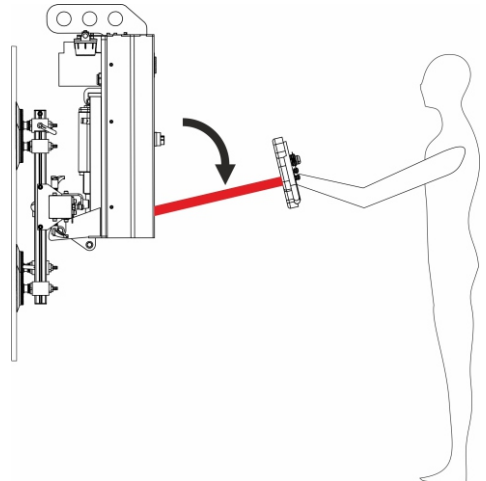
BEFARD RM GRIPPER 90 series

STEERING WHEEL MOVEMENT

Taking care of the efficiency and comfort of the operator's work, the BEFARD RM 90 series gripper has a movable steering wheel. Thanks to which the operator cares about safe and comfortable work. Draw 1. and Draw 2.



Draw 1.

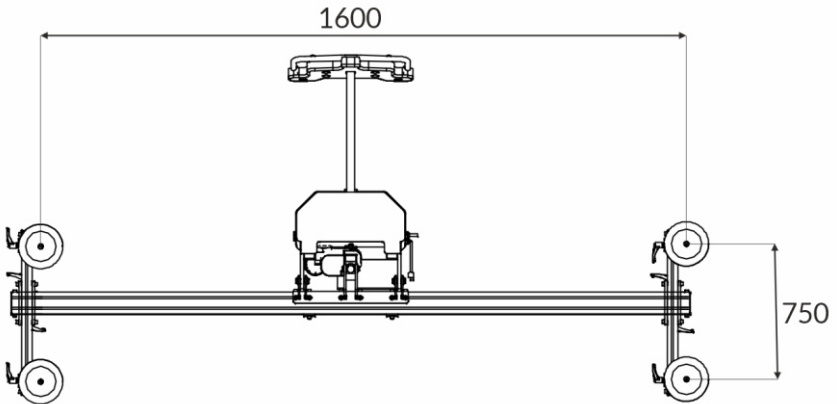


Draw 2.

BEFARD RM GRIPPER 90 series

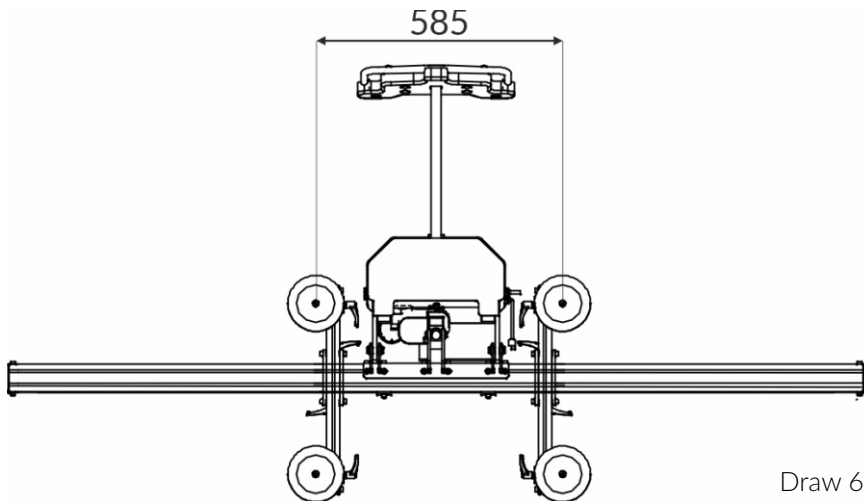
DIMENSIONS

The maximum standard distance between the suction cups.



Draw 5.

The minimum standard distance between the suction cups.

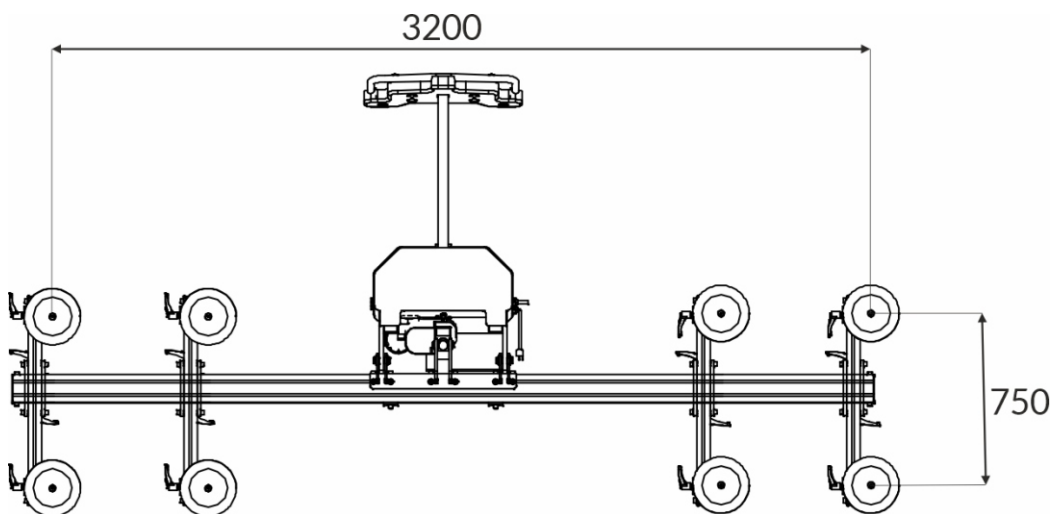


Draw 6.

BEFARD RM GRIPPER 90 series

DIMENSIONS

Version with an option for a larger number of suction cups.



Draw 7.